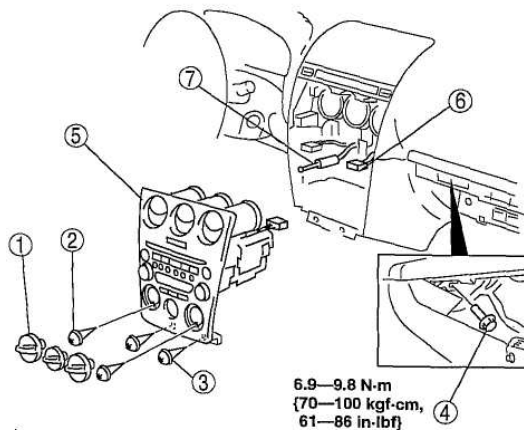


CENTER PANEL MODULE REMOVAL/INSTALLATION

1. Disconnect the negative battery cable.
2. Remove the glove compartment.
3. Remove the rear console.
4. Remove in the order indicated in the table.

1	Dial (manual A/C only)
2	Screw (manual A/C only)
3	Screw
4	Bolt (See Bolt Removal Note)
5	Center panel module (See Center Panel Module Removal Note)
6	Connector
7	Antenna feeder



G03645703

Fig. 33: Center Panel Module Removal Sequence (Torque Specs)

Courtesy of MAZDA MOTORS CORP.

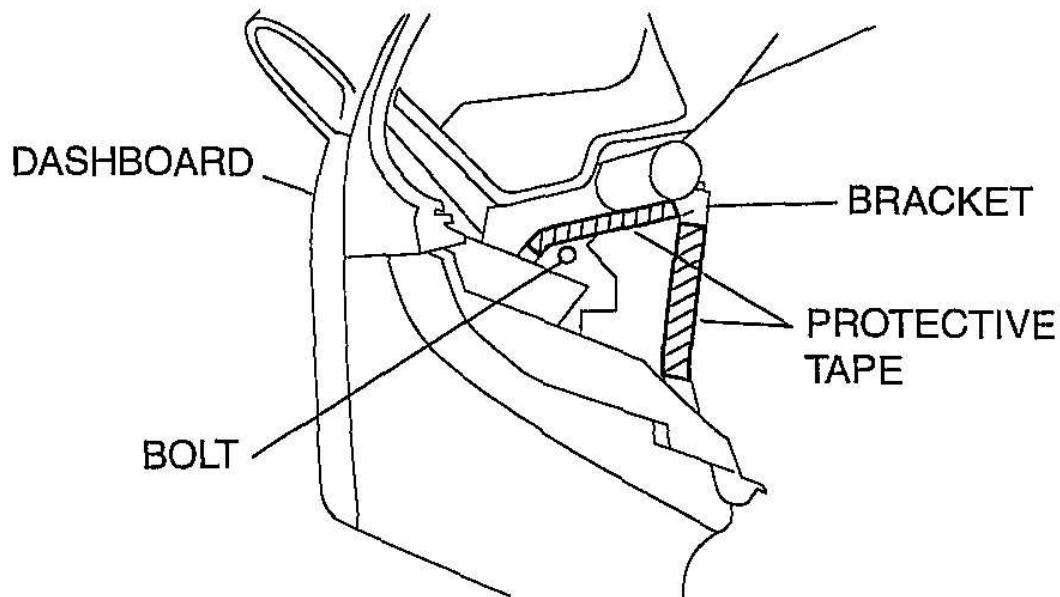
5. Install in the reverse order of removal.

CAUTION:

- Make certain that the wiring harness and antenna feeder are not caught between the unit and dashboard. If the harness or the antenna feeder is caught between the unit and dashboard, it may cause trouble or malfunctions.

BOLT REMOVAL NOTE

1. Attach protective tape to the bracket installed to the dashboard.



G03645704

Fig. 34: Attaching Protective Tape To Bracket Installed To Dashboard

Courtesy of MAZDA MOTORS CORP.

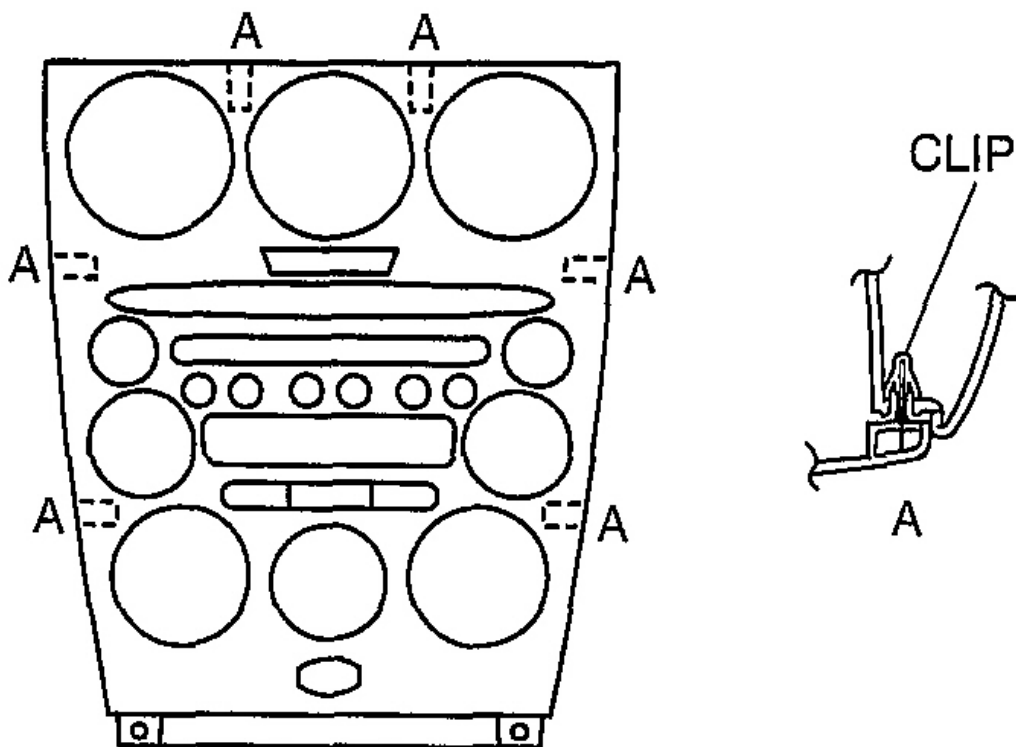
CAUTION:

- Removing the bolt without attaching protective tape to the bracket may cause injury to your hand. Always attach protective tape to the bracket when removing the bolt.

2. Remove the Bolt.

CENTER PANEL MODULE REMOVAL NOTE

1. Pull the center panel module toward you, then disengage clips A from the dashboard, and remove the center panel module.



G03645705

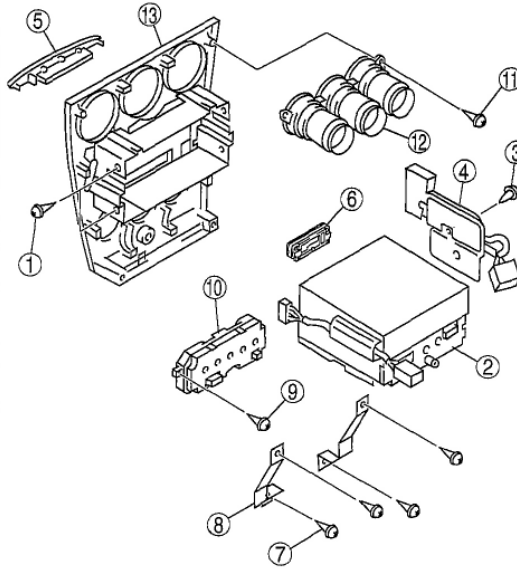
Fig. 35: Identifying Location Of Clips A
 Courtesy of MAZDA MOTORS CORP.

CENTER PANEL MODULE DISASSEMBLY/ASSEMBLY

- CAUTION:**
- Before disassembling the center panel module, spread a cloth on the floor to put the disassembled parts on. This protects the surface of the panel from scratches or dirt.

1. Remove the center panel module. (See [CENTER PANEL MODULE REMOVAL/INSTALLATION](#).)
2. Remove in the order indicated in the table.

1	Screw
2	Audio unit
3	Screw
4	Circuit board (manual A/C only)
5	Cover (upper module)
6	Cover (lower module)
7	Screw
8	Bracket (full-auto A/C only)
9	Screw (full-auto A/C only)
10	Climate control unit (full-auto A/C only)
11	Screw
12	Ventilator grille
13	Center panel



G03645706

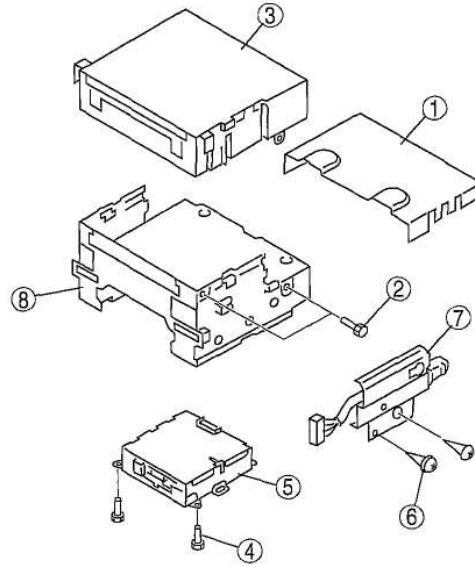
Fig. 36: Center Panel Module Disassembly Sequence
 Courtesy of MAZDA MOTORS CORP.

3. Install in the reverse order of removal.

AUDIO UNIT DISASSEMBLY/ASSEMBLY

1. Remove the audio unit. (See [CENTER PANEL MODULE DISASSEMBLY/ASSEMBLY](#) .)
2. Disassemble in the order indicated in the table.

1	Cover (without upper module)
2	Screw
3	Upper module
4	Screw
5	Lower module
6	Screw
7	Wiring harness
8	Base unit



G03645707

Fig. 37: Audio Unit Disassembly Sequence
 Courtesy of MAZDA MOTORS CORP.

3. Assemble in the reverse order of disassembly.